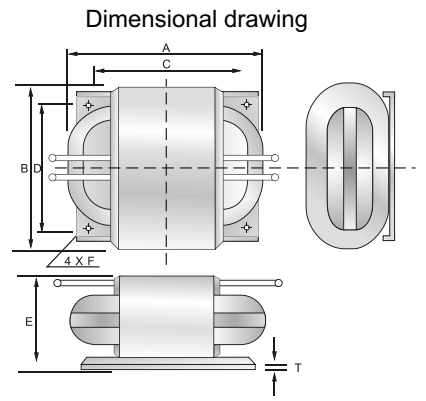




RC-SERIES-R-Core Transformers-Fly Leads 10VA to 300VA



Specifications:

Dual Primary: 115 / 230V @ 50 / 60Hz

Dual Secondary: 12 / 24V

Power: 10VA to 300VA

Dielectric Strength: 2500Vrms

Agency Standards

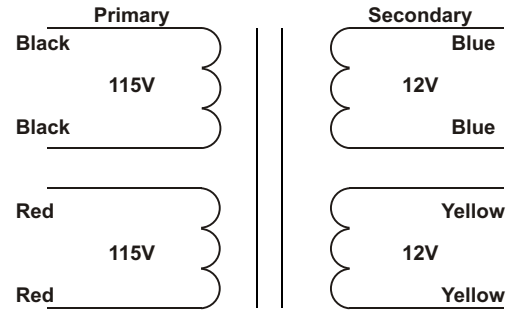
Class B Insulation(130 Degree C)

Built to meet CAN / CSA 22.2 No.66-1988

Built to meet UL506

Standard samples will be despatched within 24 hours of receiving order.

Kindly indicate the part number while inquiring.



Technical Data:

Part Number	VA (Size)	Secondary		Mechanical Dimensions (mm)							Weight (KG)
		Series Connected	Parallel Connected	A	B	C	D	E	F dia	T	
S-RC911-0010	10	24V CT @ 410mA 230V CT	12V @ 820mA 115V	48	62	27	45	35	4.0	0.5	0.27
S-RC912-0015	15	24V CT @ 625mA 230V CT	12V @ 1.25A 115V	74	60	50	45	32	4.0	1.0	0.40
S-RC913-0030	30	24V CT @ 1.25A 230V CT	12V @ 2.5A 115V	81	68	55	45	37	4.0	1.0	0.50
S-RC914-0040	40	24V CT @ 1.6A 230V CT	12V @ 3.2A 115V	96	74	70	60	41	5.0	1.0	0.70
S-RC915-0055	55	24V CT @ 2.29A 230V CT	12V @ 4.58A 115V	98	80	70	60	43	5.0	1.0	0.90
S-RC916-0070	70	24V CT @ 2.91A 230V CT	12V @ 5.82A 115V	100	86	75	65	47	5.0	1.0	1.00
S-RC917-0085	85	24V CT @ 3.54A 230V CT	12V @ 7.08A 115V	101	97	70	80	54	5.0	1.0	1.30
S-RC918-0100	100	24V CT @ 4.1A 230V CT	12V @ 8.2A 115V	123	90	90	70	50	5.0	1.2	1.40
S-RC919-0130	130	24V CT @ 5.41A 230V CT	12V @ 10.82A 115V	124	102	100	80	55	5.0	1.2	1.80
S-RC920-0200	200	24V CT @ 8.33A 230V CT	12V @ 16.66A 115V	139	110	100	85	63	5.0	1.6	2.60
S-RC921-0260	260	24V CT @ 10.8A 230V CT	12V @ 21.6A 115V	160	121	128	96	68	5.0	1.6	3.10
S-RC922-0300	300	24V CT @ 12.5A 230V CT	12V @ 25A 115V	163	128	135	95	70	5.0	1.6	3.80

Custom made transformers are available on request.



SHILCHAR
TECHNOLOGIES LIMITED

