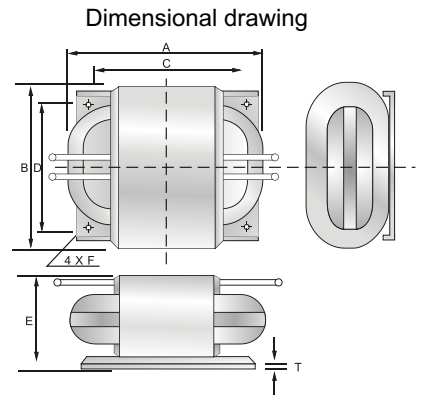




RC-SERIES-R-Core Transformers-Fly Leads 10VA to 200VA



Specifications:

Dual Primary: 115 / 230V @ 50 / 60Hz

Dual Secondary: 9 / 18V

Power: 10VA to 200VA

Dielectric Strength: 2500Vrms

Agency Standards

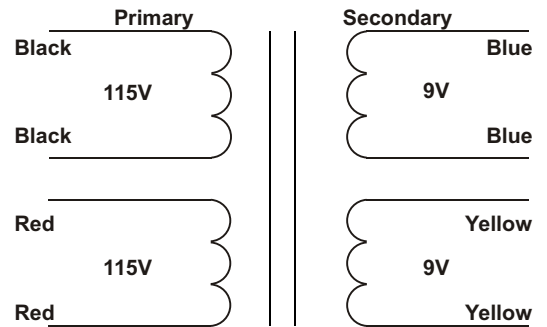
Class B Insulation(130 Degree C)

Built to meet CAN / CSA 22.2 No.66-1988

Built to meet UL506

Standard samples will be despatched within 24 hours of receiving order.

Kindly indicate the part number while inquiring.



Technical Data:

Part Number	VA (Size)	Secondary		Mechanical Dimensions (mm)							Weight (KG)
		Series Connected	Parallel Connected	A	B	C	D	E	F dia	T	
S-RC901-0010	10	18V CT @ 555mA 230V CT	9V @ 1.11A 115V	48	62	27	45	35	4.0	0.5	0.27
S-RC902-0015	15	18V CT @ 833mA 230V CT	9V @ 1.66A 115V	74	60	50	45	32	4.0	1.0	0.40
S-RC903-0030	30	18V CT @ 1.66A 230V CT	9V @ 3.32A 115V	81	68	55	45	37	4.0	1.0	0.50
S-RC904-0040	40	18V CT @ 2.22A 230V CT	9V @ 4.44A 115V	96	74	70	60	41	5.0	1.0	0.70
S-RC905-0055	55	18V CT @ 3.05A 230V CT	9V @ 6.10A 115V	98	80	70	60	43	5.0	1.0	0.90
S-RC906-0070	70	18V CT @ 3.88A 230V CT	9V @ 7.76A 115V	100	86	75	65	47	5.0	1.0	1.00
S-RC907-0085	85	18V CT @ 4.72A 230V CT	9V @ 9.44A 115V	101	97	70	80	54	5.0	1.0	1.30
S-RC908-0100	100	18V CT @ 5.55A 230V CT	9V @ 11.10A 115V	123	90	90	70	50	5.0	1.2	1.40
S-RC909-0130	130	18V CT @ 7.22A 230V CT	9V @ 14.44A 115V	124	102	100	80	55	5.0	1.2	1.80
S-RC910-0200	200	18V CT @ 11.11A 230V CT	9V @ 22.22A 115V	139	110	100	85	63	5.0	1.6	2.60

Custom made transformers are available on request.



SHILCHAR
TECHNOLOGIES LIMITED

